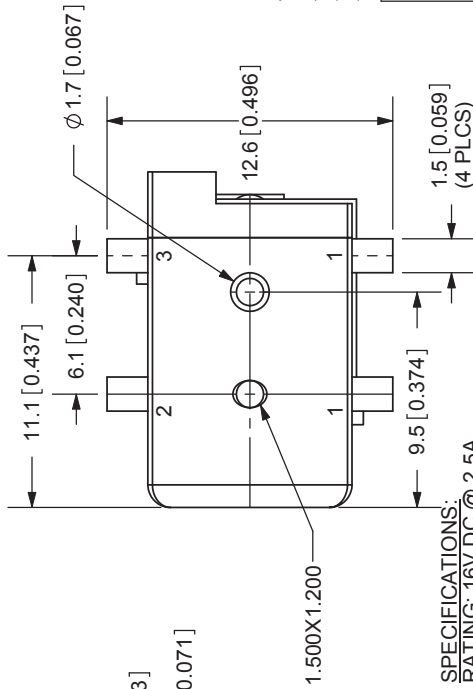
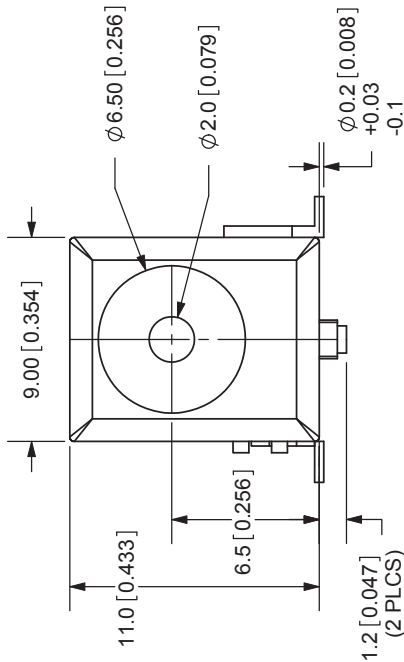
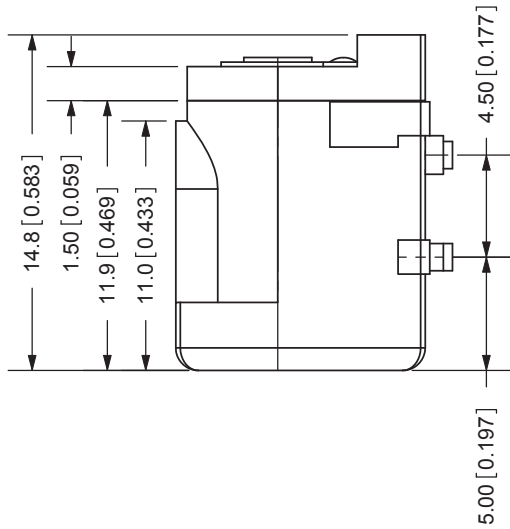
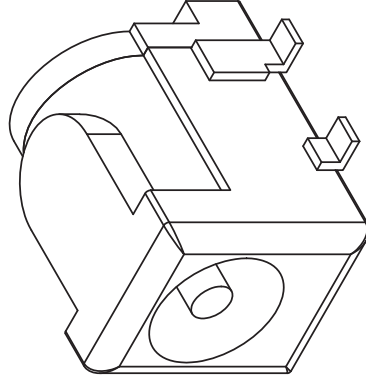


REV.	DESCRIPTION	DATE
A	NEW DRAWING	11/10/2005
B	corrected spec error	10/29/2007



SPECIFICATIONS:
 RATING: 16V DC @ 2.5A
 CONTACT RESISTANCE: 30m OHMS MAX
 INSULATION RESISTANCE: 50M OHMS MIN: 500V DC
 VOLTAGE WITHSTAND: 500V AC R.M.S. FOR 1 MINUTE
 LIFE: 5,000 CYCLES
 OPERATING TEMP: -25° ~ +85°C



TOLERANCE:
 X.X ±0.2mm
 X.XX ±0.1mm
 X.XXX ±0.05mm

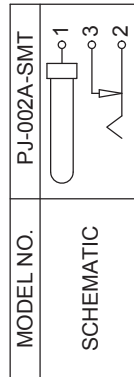


CUI INC

20050 SW 112th Ave.
 Tualatin, OR 97062
 Phone: 503-612-2300
 800-275-4899
 Fax: 503-612-2383
 Website: www.cui.com

TITLE:	2.0mm SURFACE MOUNT POWER JACK	REV:	A
PART NO:	PJ-002A-SMT	UNITS:	MM [INCHES]
DRAWN BY:	ZRJ	APPROVED BY:	
SCALE:			2:1

CENTER PIN	MATERIAL	PLATING
TERMINAL 1	Copper	Nickel
TERMINAL 2	Brass	Silver
TERMINAL 3	Copper Alloy	Silver
HOUSING	Brass	Silver
	PA6T	Silver



CENTER PIN DIAMETER 2.0mm Dia.